



MODEL H8100 8 TON LOG SPLITTER INSTRUCTION SHEET

⚠️ WARNING



EYE INJURY HAZARD!
Always wear ANSI approved safety glasses when using this log splitter!

Introduction

The Model 8100 8-Ton Log Splitter will split logs from 14¼" to 23¼", and the hydraulic 6" ram stroke will separate the toughest grain.

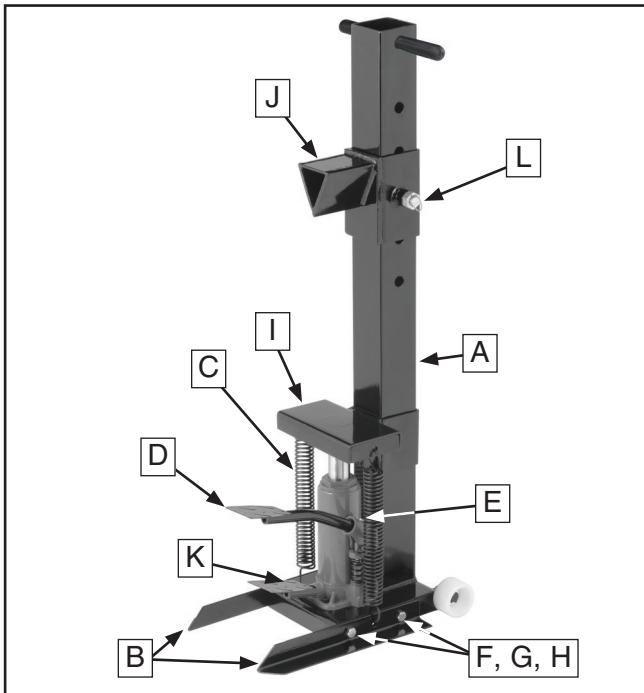


Figure 1. Model H8100.

Inventory & Identification: (Figure 1)

- A. Log Splitter Main Body 1
- B. Stabilizer Bars 2
- C. Return Springs 2
- D. Elevation Foot Pedal 1
- E. Hex Bolt M6-1 x 16 (foot pedal) 1
- F. Hex Bolts M10-1.5 x 25 (stabilizer bars).... 4
- G. Hex Nuts M10-1.5 (stabilizer bars)..... 4
- H. Lock Washers 10mm (stabilizer bars)..... 4
- I. Splitter Workbench 1
- J. Wedge Assembly 1
- K. Pressure Release Pedal 1
- L. Wedge Release Pins (one on each side) .. 2

Assembly

Note: Refer to the **Parts Breakdown** for additional assembly details.

1. Insert the elevation foot pedal into the hydraulic pump bracket and secure it with the M6-1.0 x 16 hex bolt.
2. Attach the stabilizer bars to the base with the M10-1.5 x 25 hex bolts, hex nuts, and lock washers.
3. Install the return springs between the splitter workbench and the base.

⚠️ WARNING

This log splitter is only intended to be used to split logs! Serious injury may occur if this log splitter is used for any other purpose.

If you need help with your new log splitter, call our Tech Support at: (570) 546-9663.

WARNING

1. Read and understand this entire instruction sheet before using this log splitter.
2. Always wear ANSI approved safety glasses when using this log splitter to avoid damage to eyes from flying wood pieces.
3. Never place your hands or other body parts on or near the log, wedge, hydraulic ram, or splitter workbench when splitting the log.
4. Do not use this log splitter for any other purpose other than splitting logs. Do not use this log splitter beyond its 8 ton capacity.
5. Never leave the log under pressure.
6. Keep the area around log splitter clear of bystanders to prevent injury from ejected wood pieces.
7. Always clear away wood pieces from the log splitter and the area around it before starting on another log.

Operation

1. Cut the logs you want to split to 23¼" or less to fit into the splitter.
2. Pull both of the wedge release pins out of the holes in the post, and lower the wedge to a height slightly more than the length of the log.

Note: Make sure the wedge release pins are firmly seated in the post holes before continuing.

4. Place the log on the splitter workbench.
5. Keeping the log stable and your hands out of the way of the wedge, use the elevation foot pedal to raise the log up tight against the wedge.

6. Keeping your hands away from the log and log splitter, continue with even strokes of the elevation foot pedal until the log is split.
7. Remove the wood pieces and clear the area of any debris.
8. To lower the splitter workbench, apply downward pressure to the workbench as you push the pressure release foot pedal down.

Storage

Store the log splitter in a dry location with the splitter workbench fully lowered, so there is not hydraulic pressure left in the pump.

Maintenance

Wipe down the log splitter to remove tree sap or dirt after use. Occasionally, you may need to add hydraulic oil to maximize performance.

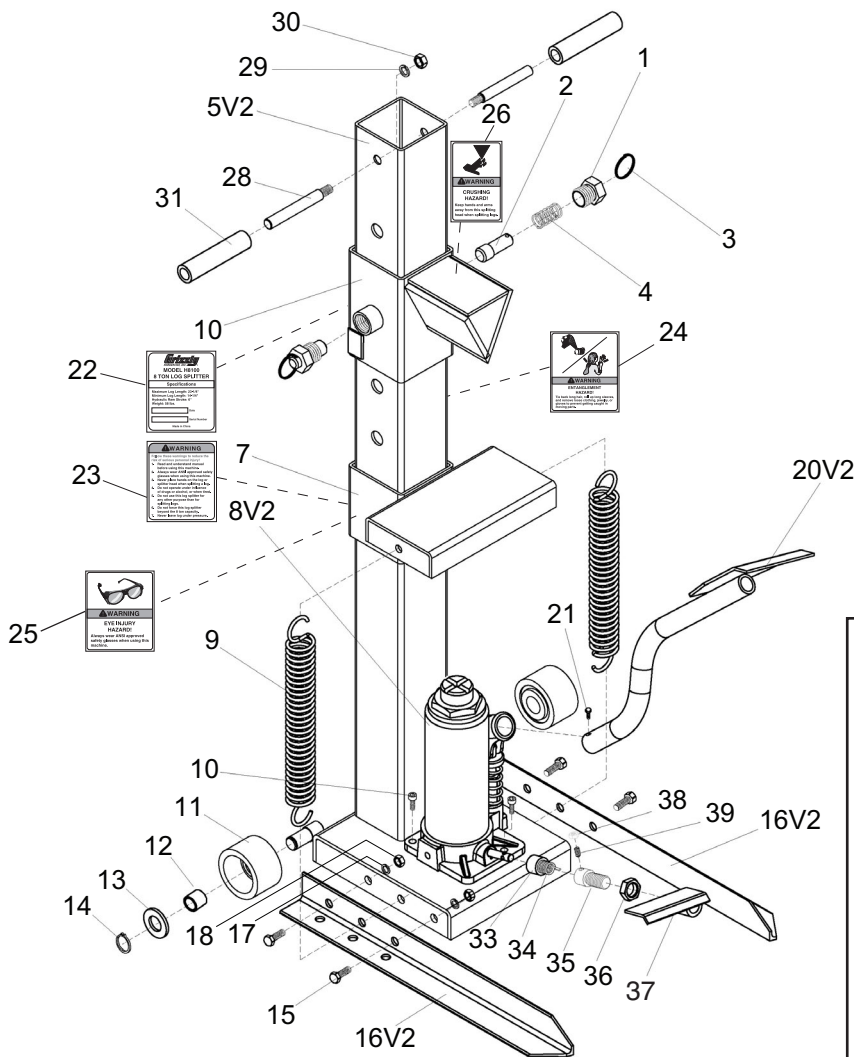
To add oil to the hydraulic pump:

Note: Refer to the **Parts Breakdown** to identify parts named below.

1. Remove the wedge assembly and splitter workbench from the splitter body.
2. Use a 6mm hex wrench to remove the two cap screws that hold the hydraulic pump to the base.
3. Position the pump horizontally and remove the round rubber oil plug on the back of the pump housing.
4. Add hydraulic oil until the cylinder is approximately $\frac{3}{4}$ full.
5. Replace the rubber oil plug and re-assemble the log splitter.

If you need help with this procedure, call our Tech Support at: (570) 546-9663.

Parts Breakdown ~ Version 2.05.09



NOTICE

Safety labels warn about machine hazards and ways to prevent injury. The owner of this machine **MUST** maintain the original location and readability of the labels on the machine. If any label is removed or becomes unreadable, **REPLACE** that label before using the machine again. Contact Grizzly at (800) 523-4777 or www.grizzly.com to order new labels.

REF	PART #	DESCRIPTION
1	PH8100001	THREADED PIN HOUSING
2	PH8100002	WEDGE RELEASE PIN
3	PH8100003	RING
4	PH8100004	COMPRESSION SPRING
5V2	PH8100005V2	SPLITTER BODY V2.05.09
6	PH8100006	WEDGE ASSEMBLY
7	PH8100007	SPLITTER WORKBENCH
8V2	PH8100008V2	HYDRAULIC PUMP V2.05.09
9	PH8100009	RETURN SPRING
10	PCAP14M	CAP SCREW M8-1.25 X 20
11	PH8100011	WHEEL
12	PH8100012	BUSHING
13	PW10M	FLAT WASHER 14MM
14	PR02M	EXT RETAINING RING 14MM
15	PB32M	HEX BOLT M10-1.5 X 25
16V2	PH8100016V2	STABILIZER BAR V2.05.09
17	PLW06M	LOCK WASHER 10MM
18	PN02M	HEX NUT M10-1.5

REF	PART #	DESCRIPTION
20V2	PH8100020V2	HYD. FOOT PEDAL V2.05.09
21	PB83M	HEX BOLT M6-1 X 16
22	PH8100022	SPECIFICATION LABEL
23	PH8100023	GENERAL WARNINGS LABEL
24	PH8100024	ENTANGLEMENT LABEL
25	PH8100025	EYE INJURY LABEL
26	PH8100026	CRUSHING HAZARD LABEL
28	PH8100028	HANDLE
29	PLW06M	LOCK WASHER 10MM
30	PN02M	HEX NUT M10-1.5
31	PH8100031	HANDLE SLEEVE
33	PH8100033	TORSION SPRING SLEEVE
34	PH8100034	TORSION SPRING
35	PH8100035	EXTENSION ROD
36	PH8100036	THIN HEX NUT M16
37	PH8100037	RELEASE PEDAL
38	PN01M	HEX NUT M6-1
39	PSS04M	SET SCREW M6-1 X 12

grizzly.com[®]

TOOL WEBSITE

Buy Direct and Save with Grizzly[®] – Trusted, Proven and a Great Value!
~Since 1983~

*Visit Our Website Today For
Current Specials!*

**ORDER
24 HOURS A DAY!
1-800-523-4777**

